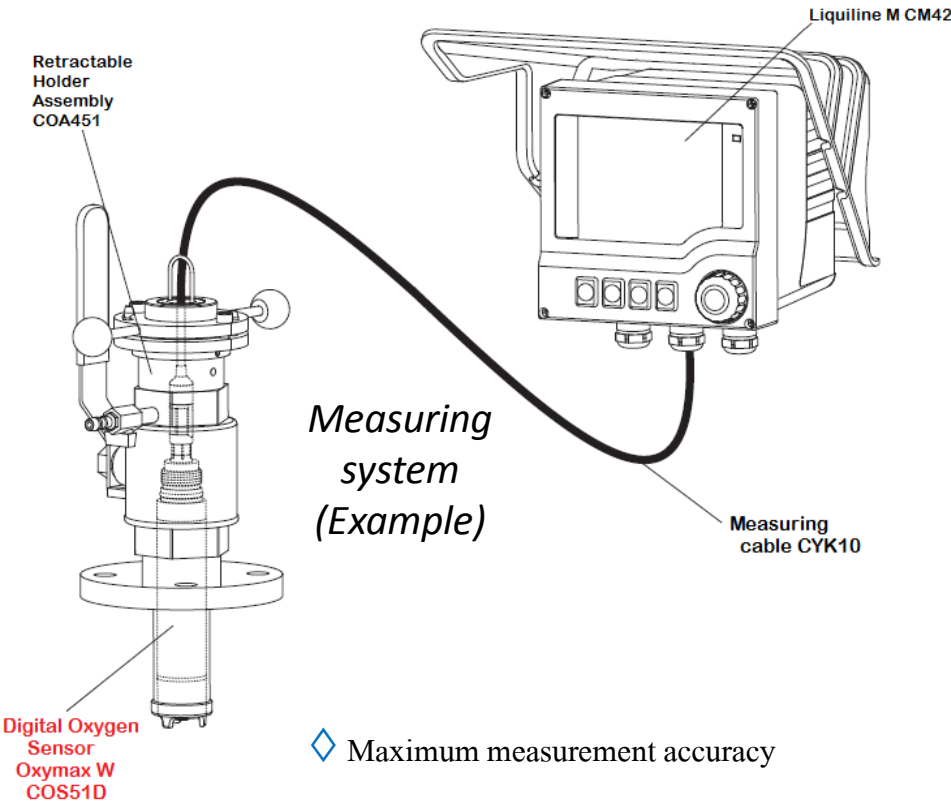


# Oxymax COS51D

## Digital Oxygen Sensor



Memosens  
amperometric oxygen  
sensor for water,  
wastewater and  
utilities



- ◆ Maximum measurement accuracy
- ◆ Intelligent, self-monitoring sensor

- ◆ Measurement range: 0,01 - 100mg/l
- ◆ Measuring principle: Closed membrane covered amperometric 3-electrode system.

◆ Process temperature: max. 50°C (max.122°F)

◆ Process pressure: max. 10bar (max.145psi)

